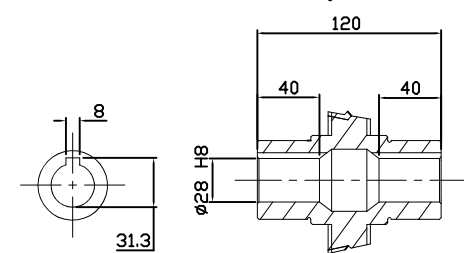
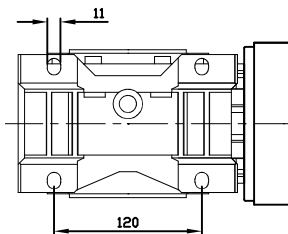
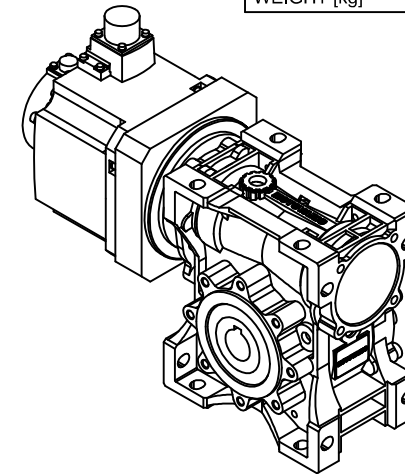
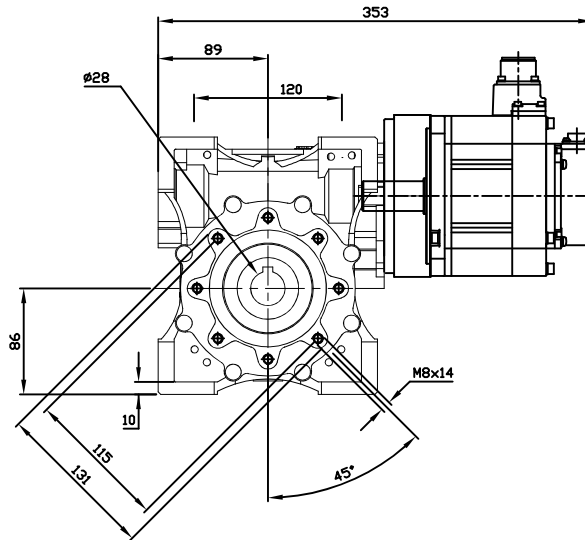
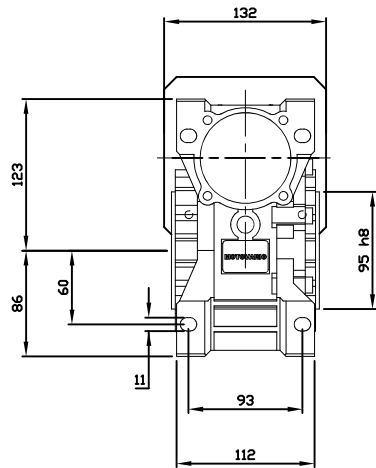


REDUCER SPEC	
MODEL	NMRV-P 075
SERVICE FACTOR	1.8
RATIO	30
OUTPUT [rpm]	66
OUTPUT TORQUE [Nm]	110.8
BACKLASH [arc-m]	16' - 24'
WEIGHT [kg]	8.8
MOTOR SPEC	
MODEL	HG-SR102
POWER [kW]	1
INPUT [rpm]	2000
WEIGHT [kg]	6.2



OUTPUT HOLLOW SHAFT

한국 (주)한국체인모터

Tel. 032-815-8888 Fax. 815-8020
www.hcmfa.com

PROJECT		MOTOVARIO					
DRAWN	SEO Y.S	DATE		REV	A	SCALE	1:1
CHECKED	KIM J.S	DATE		UNIT	MM	PAGE	-
APPROVED	LEE J.Y	DATE					