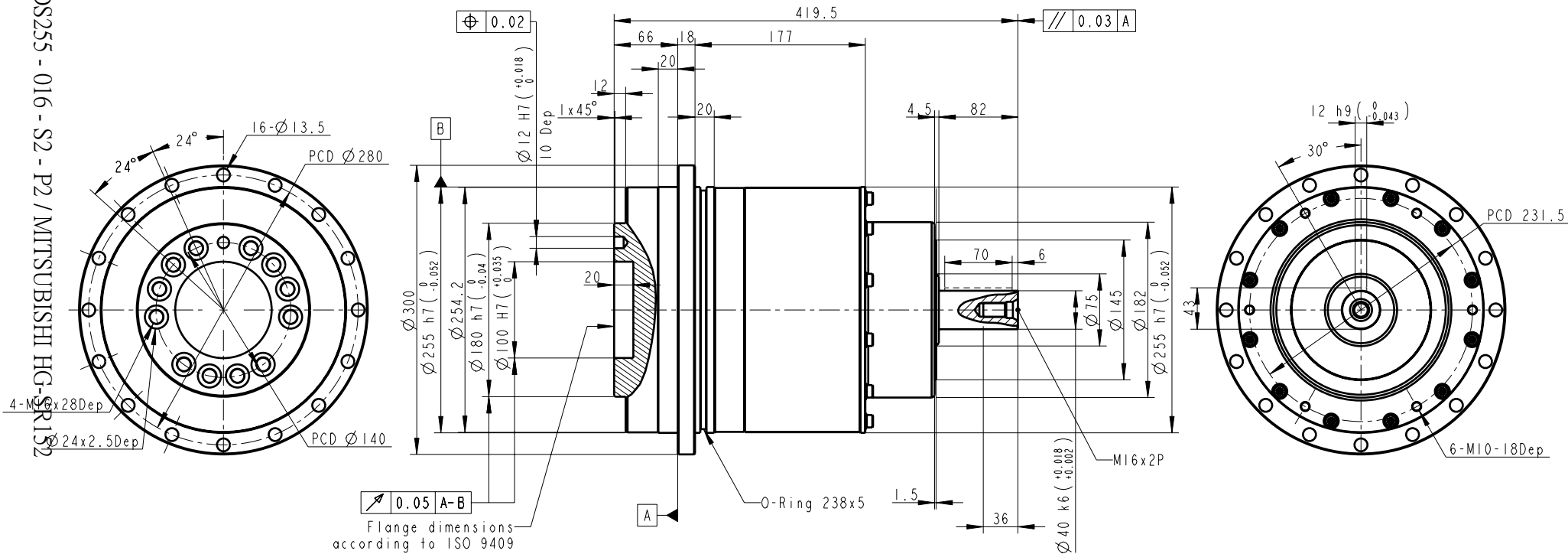

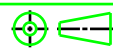


ADS255 - 016 - S2 - P2 / MITSUBISHI HG-SR152



INERTIA: 40.97 ~ 41.76 kg-cm<sup>2</sup>  
 MASS: 74.7 kg

MICRO BACKLASH: 3 arcmin  
 REDUCED BACKLASH: 5 arcmin  
 STANDARD BACKLASH: 7 arcmin

PART NO. ADS255-2		 <b>APEX DYNAMICS, INC.</b>		
APPROVALS	DATE	TITLE ADS255 Reducer 2 Stages, Ratio=16~91		
DRAWN Poppy	21-Feb-08	DWG NO. ADS255-2		
CHECKED		 SIZE 2A0 SCALE 1:1 REV 1.0		
APPROVED				