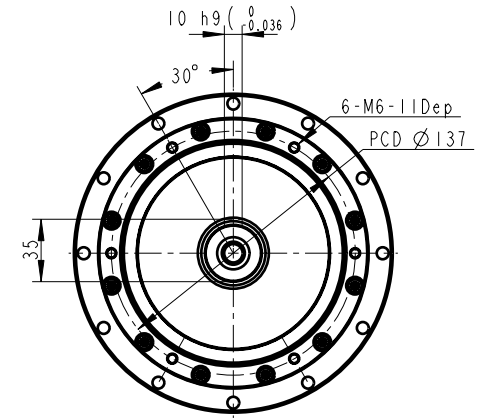
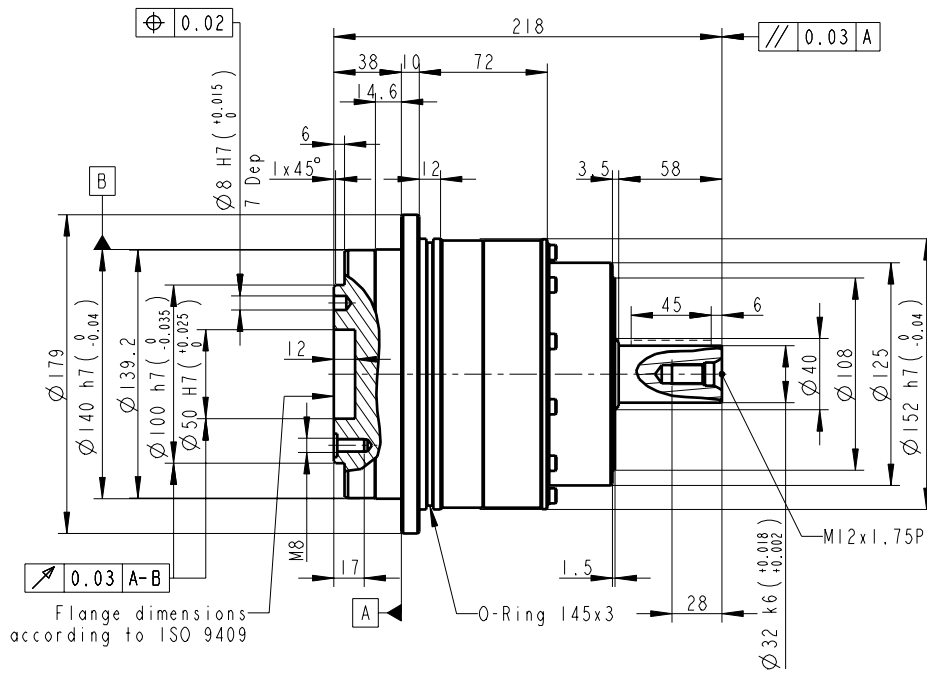
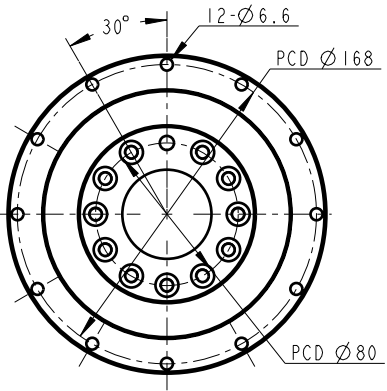



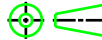
ADS140 - 004 - S2 - P2 / MITSUBISHI HG-SR152



Flange dimensions according to ISO 9409

INERTIA: 9.93 ~ 10.27 kg-cm<sup>2</sup>  
 MASS: 13.5 kg

MICRO BACKLASH: 1 arcmin  
 REDUCED BACKLASH: 3 arcmin  
 STANDARD BACKLASH: 5 arcmin

PART NO. ADS140-1				
APPROVALS	DATE	TITLE ADS140 Reducer 1 Stage, Ratio=4-10		
DRAWN Poppy	21-Feb-08	DWG NO. ADS140-1		
CHECKED			SIZE A0	SCALE 1:1
APPROVED			REV 1.0	