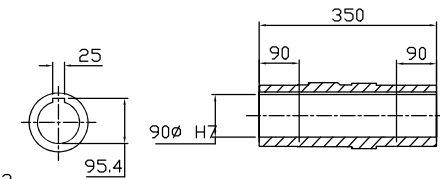
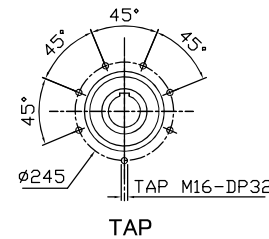
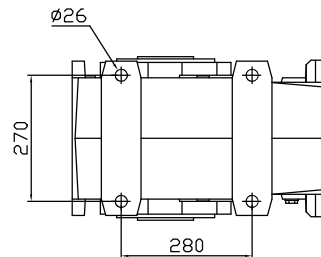
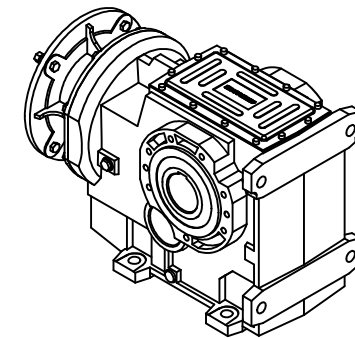
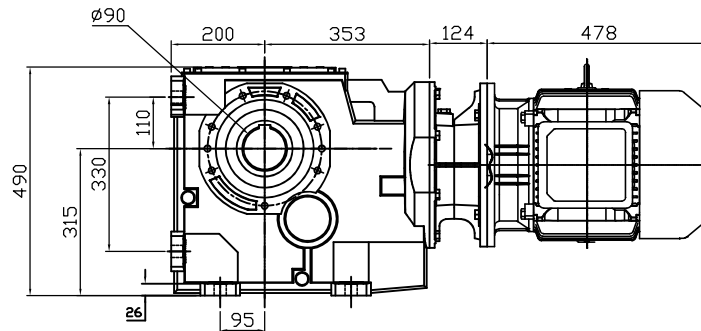
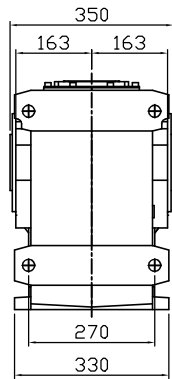


|                    |        |
|--------------------|--------|
| REDUCER SPEC       |        |
| MODEL              | B153   |
| SERVICE FACTOR     | 1.1    |
| RATIO              | 123.88 |
| OUTPUT [rpm]       | 14.1   |
| OUTPUT TORQUE [Nm] | 6693   |
| WEIGHT [kg]        | 206.5  |

|             |             |
|-------------|-------------|
| MOTOR SPEC  |             |
| MODEL       | TE-F 효성 IE3 |
| POWER [kW]  | 11          |
| POLE, PHASE | 4P, 3PHASE  |
| INPUT [rpm] | 1750        |
| BRAKE       | NO          |
| WEIGHT [kg] | 165         |



OUTPUT HOLLOW SHAFT

**(주)한국제인모터**

Tel. 032-815-8888 Fax. 815-8020  
www.hcmfa.com

|          |         |           |  |      |    |       |     |
|----------|---------|-----------|--|------|----|-------|-----|
| PROJECT  |         | MOTOVARIO |  |      |    |       |     |
| DRAWN    | SEO Y.S | DATE      |  | REV  | A  | SCALE | 1:1 |
| CHECKED  | KIM J.S | DATE      |  | UNIT | MM | PAGE  | -   |
| APPROVED | LEE J.Y | DATE      |  |      |    |       |     |