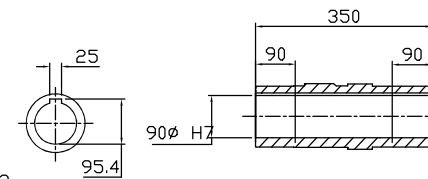
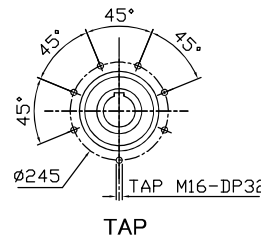
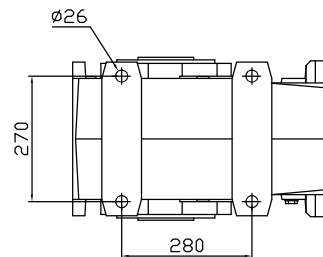
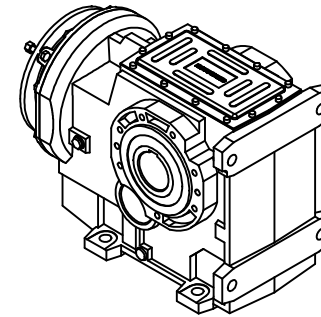
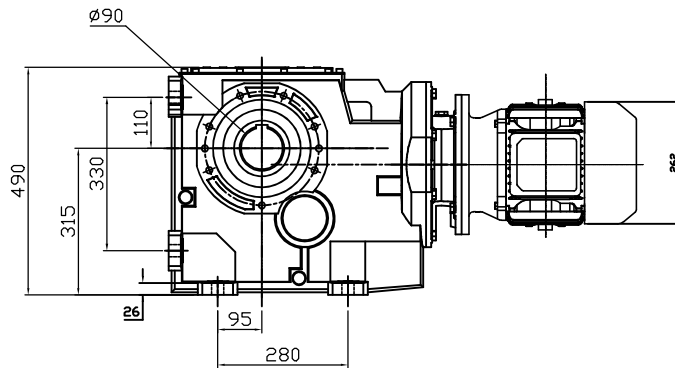
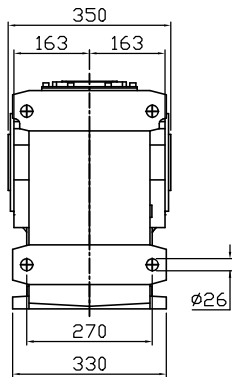


|                    |                |
|--------------------|----------------|
| REDUCER SPEC       |                |
| MODEL              | B153UC         |
| INPUT DIMENSION    | IEC 132B5      |
| RATIO              | 25.19 - 165.42 |
| OUTPUT [rpm]       |                |
| OUTPUT TORQUE [Nm] |                |
| WEIGHT [kg]        | 199            |

|             |             |
|-------------|-------------|
| MOTOR SPEC  |             |
| MODEL       | TE-F 효성 IE3 |
| POWER [kW]  | 5.5         |
| POLE, PHASE | 4P, 3PHASE  |
| INPUT [rpm] | 1750        |
| BRAKE       | NO          |
| WEIGHT [kg] | 97          |



OUTPUT HOLLOW SHAFT

**(주)한국제인모터**

Tel. 032-815-8888 Fax. 815-8020  
www.hcmfa.com

|          |         |           |  |      |    |       |     |
|----------|---------|-----------|--|------|----|-------|-----|
| PROJECT  |         | MOTOVARIO |  |      |    |       |     |
| DRAWN    | SED Y.S | DATE      |  | REV  | A  | SCALE | 1:1 |
| CHECKED  | KIM J.S | DATE      |  | UNIT | MM | PAGE  | -   |
| APPROVED | LEE J.Y | DATE      |  |      |    |       |     |