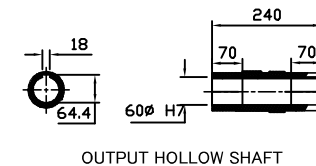
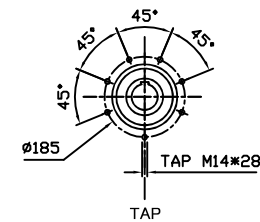
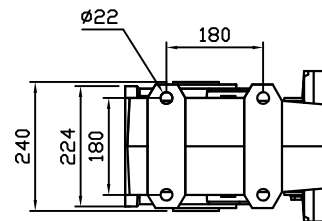
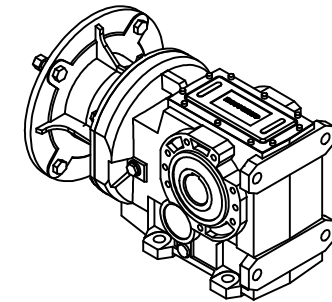
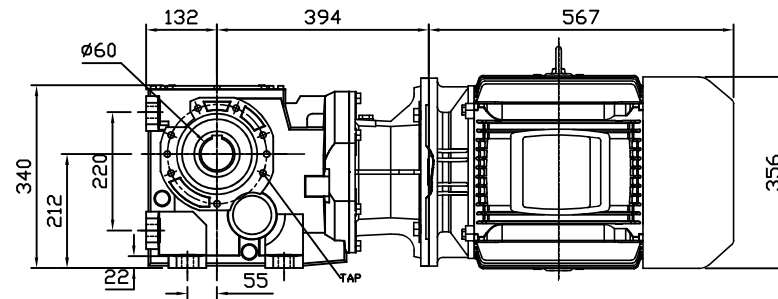
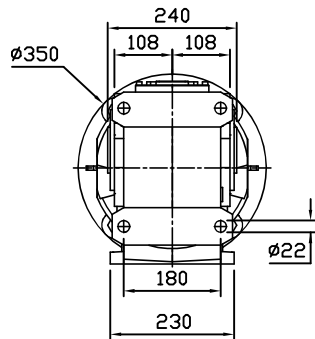


REDUCER SPEC	
MODEL	B123UC
INPUT DIMENSION	IEC 180B5
RATIO	7.97 - 27.51
OUTPUT [rpm]	
OUTPUT TORQUE [Nm]	
WEIGHT [kg]	87.7

MOTOR SPEC	
MODEL	TE-F 효성 IE3
POWER [kW]	18.5
POLE, PHASE	4P, 3PHASE
INPUT [rpm]	1750
BRAKE	NO
WEIGHT [kg]	223



(주)한국제인모터

Tel. 032-815-8888 Fax. 815-8020
www.hcmfa.com

PROJECT		MOTOVARIO					
DRAWN	SEO Y.S	DATE		REV	A	SCALE	1:1
CHECKED	KIM J.S	DATE		UNIT	MM	PAGE	-
APPROVED	LEE J.Y	DATE					