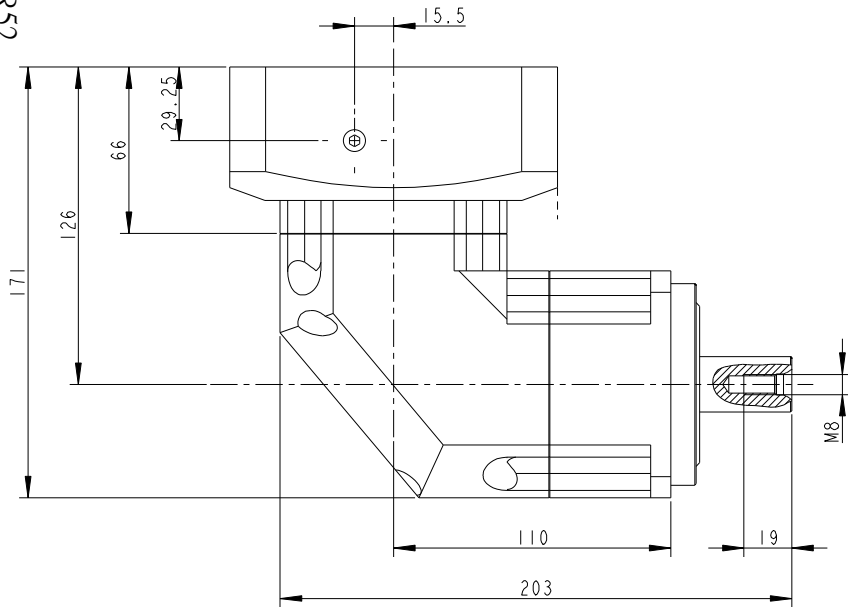
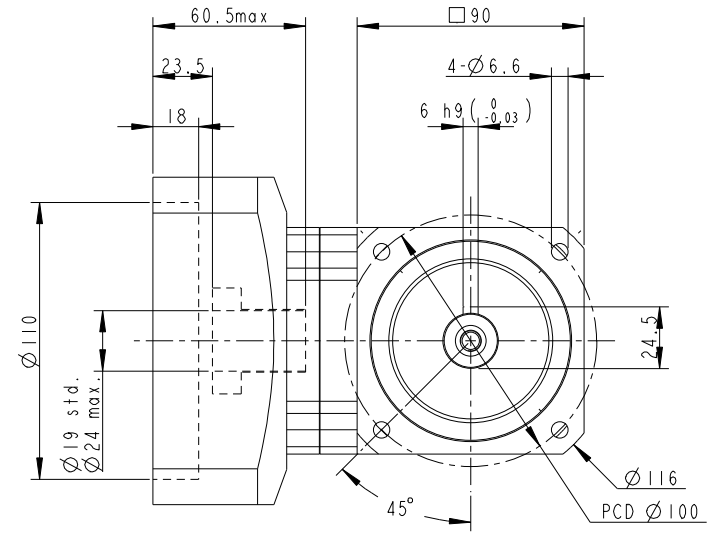
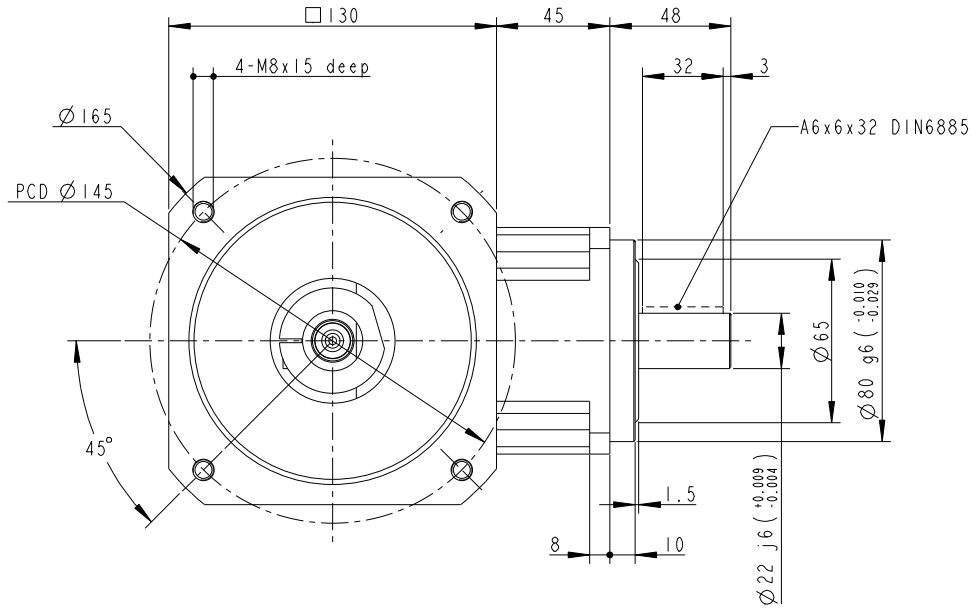


ABR090M1 - 003 - S2 - P2 / MITSUBISHI HG-SR52





INERTIA: 1.87~2.25 kg-cm²
 MASS: 6.4 Kg

SHAFT OPTION S1: SMOOTH OUTPUT SHAFT(STANDARD)
 SHAFT OPTION S2: OUTPUT SHAFT WITH KEYWAY
 MICRO BACKLASH <= 2 arcmin
 REDUCED BACKLASH <= 4 arcmin
 STANDARD BACKLASH <= 6 arcmin

***BUSHING SUPPLIED WHEN MOTOR SHAFT DIAMETER SMALL THAN $\varnothing 24$

Old Part No. ABR0901-P4031004

PART NO. ABR0901-P0401301004 ABR090-1, AD-W90-M130-4		 APEX DYNAMICS, INC.		
APPROVALS	DATE	TITLE ABR090 1 STAGE, RATIO= 3-20 AND MOTOR FLANGE MOUNTING		
DRAWN 江淑惠				
CHECKED		DWG NO. ABR0901-P0401301004		
APPROVED		 SIZE A1	SCALE 1:1	REV 2.0