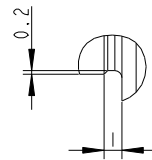
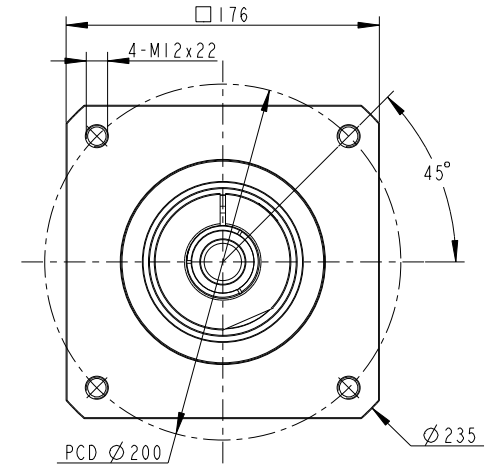
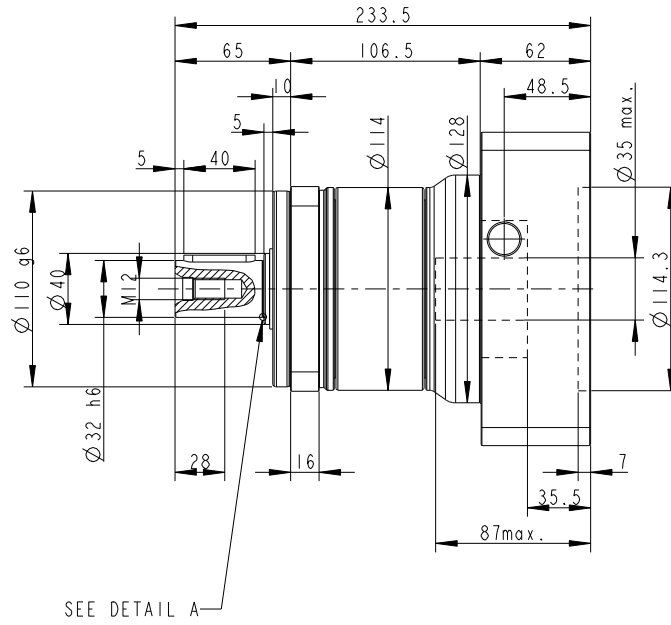
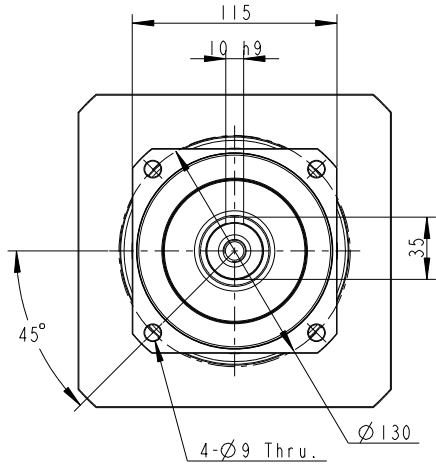




PA II 115 - 003 - S2 / MITSUBISHI HG-SR502



DETAIL A
SCALE 10:1

INERTIA: 10.39 ~ 10.97 kg-cm²
MASS: 8.1 Kg

PART NO. PA2-115_1ST_35-P0411800501 AD-PE2-S35-M176-1		 APEX DYNAMICS, INC.		
APPROVALS	DATE	TITLE PA2-115_1 Stage_S35 , RATIO= 3~10 AND MOTOR FLANGE MOUNTING		
DRAWN 沈正義		DWG NO. PA2-115_1ST_35-P0411800501		
CHECKED			SIZE A0	SCALE 1:1
APPROVED			REV	