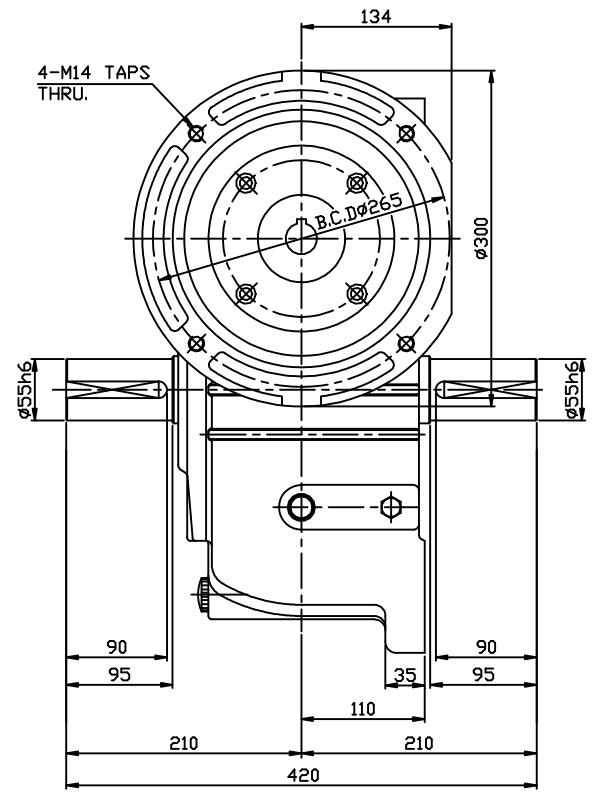
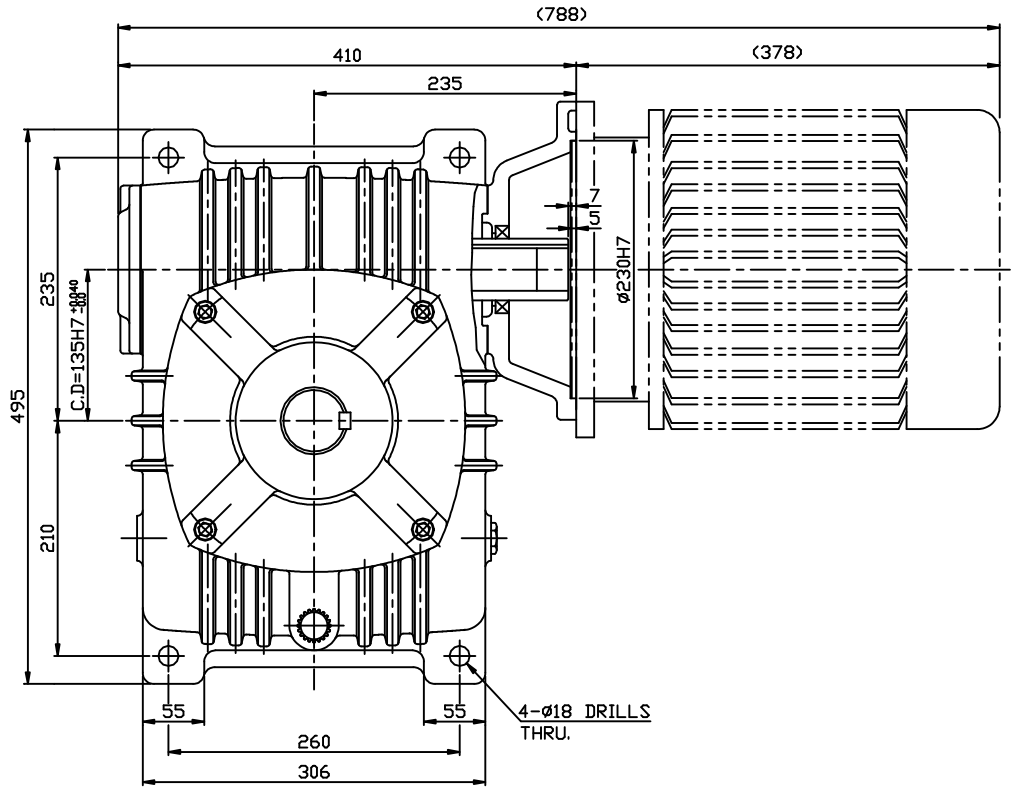
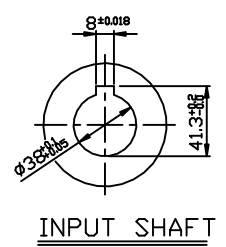
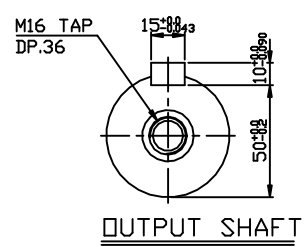


1 2 3 4

REV	ZONE	DESCRIPTION	DRAWN	APPRVD	DATE



M5*0.8
M6* 1
M8*1.25
M10*1.5
M12*1.75
M16* 2
M18*2.5
M20*2.5
M22*2.5
M24*3



NO	PART NO.	DESCRIPTION	Q'TY	MATERIAL

본 도면은 (주)삼양기어의 기술 재산입니다. 본 도면은 지적 재산권 관련 법규에 의하여 보호되며, (주)삼양기어로부터 본사에 의한 승인 없이 본 도면의 전부 또는 일부를 복사, 배포, 변경하거나, 타인에게 누설할 수 없습니다.	<table border="1"> <tr> <td>NO</td> <td>PART NO.</td> <td>DESCRIPTION</td> <td>Q'TY</td> <td>MATERIAL</td> </tr> <tr> <td> </td> <td> </td> <td> </td> <td> </td> <td> </td> </tr> </table>	NO	PART NO.	DESCRIPTION	Q'TY	MATERIAL									
NO	PART NO.	DESCRIPTION	Q'TY	MATERIAL											
<table border="1"> <tr> <td>DATE</td> <td>NAME</td> <td>SCALE</td> <td>TITLE</td> <td>SHEET</td> </tr> <tr> <td> </td> <td> </td> <td>1/5</td> <td>OUTLINE DWG.</td> <td>1/1</td> </tr> </table>	DATE	NAME	SCALE	TITLE	SHEET			1/5	OUTLINE DWG.	1/1	<table border="1"> <tr> <td>MAX21 WORM REDUCER WVM135</td> <td>REV</td> </tr> <tr> <td>7.5HP i=10~1/30 C-TYPE</td> <td>1</td> </tr> </table>	MAX21 WORM REDUCER WVM135	REV	7.5HP i=10~1/30 C-TYPE	1
DATE	NAME	SCALE	TITLE	SHEET											
		1/5	OUTLINE DWG.	1/1											
MAX21 WORM REDUCER WVM135	REV														
7.5HP i=10~1/30 C-TYPE	1														
<table border="1"> <tr> <td>CHAMFER : C 1.0</td> <td>30 - 120 : ±0.15</td> </tr> <tr> <td>FILLET : R 1.0</td> <td>120 - 315 : ±0.2</td> </tr> <tr> <td>마무리 : ∇</td> <td>315 - 1000 : ±0.3</td> </tr> <tr> <td> </td> <td>1000 이상 : ±0.5</td> </tr> </table>	CHAMFER : C 1.0	30 - 120 : ±0.15	FILLET : R 1.0	120 - 315 : ±0.2	마무리 : ∇	315 - 1000 : ±0.3		1000 이상 : ±0.5	<table border="1"> <tr> <td>DWG SIZE</td> <td>DWG. NO.</td> </tr> <tr> <td>A3</td> <td>WVM135_75C</td> </tr> </table>	DWG SIZE	DWG. NO.	A3	WVM135_75C		
CHAMFER : C 1.0	30 - 120 : ±0.15														
FILLET : R 1.0	120 - 315 : ±0.2														
마무리 : ∇	315 - 1000 : ±0.3														
	1000 이상 : ±0.5														
DWG SIZE	DWG. NO.														
A3	WVM135_75C														
<p>SAMYANG REDUCTION GEARS CO., LTD</p>															

1 2 3 4